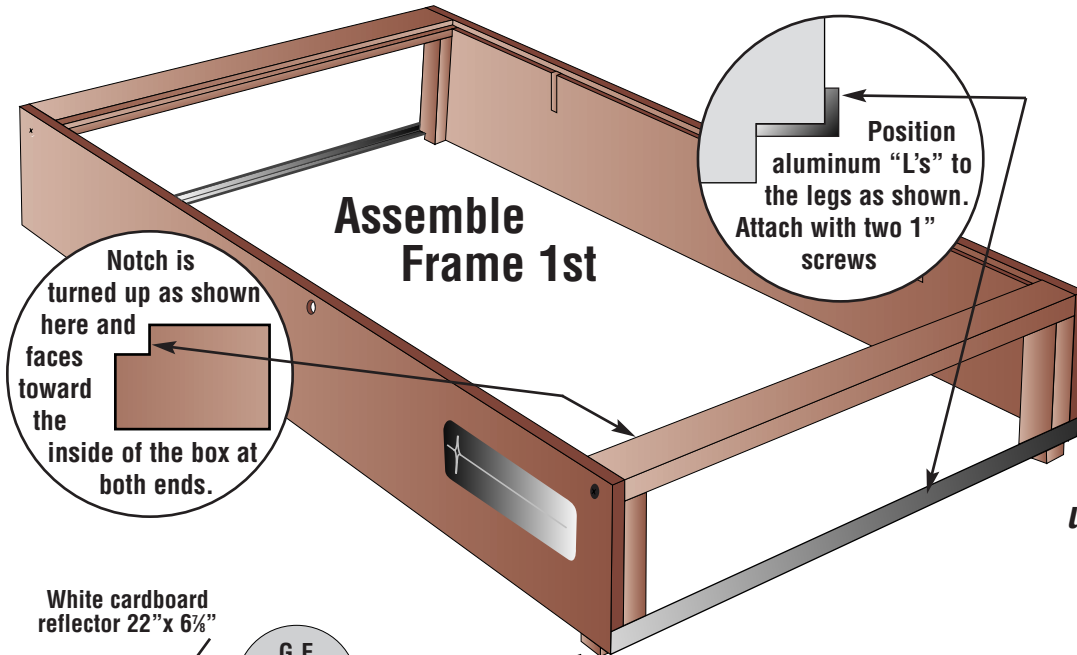


# Option A

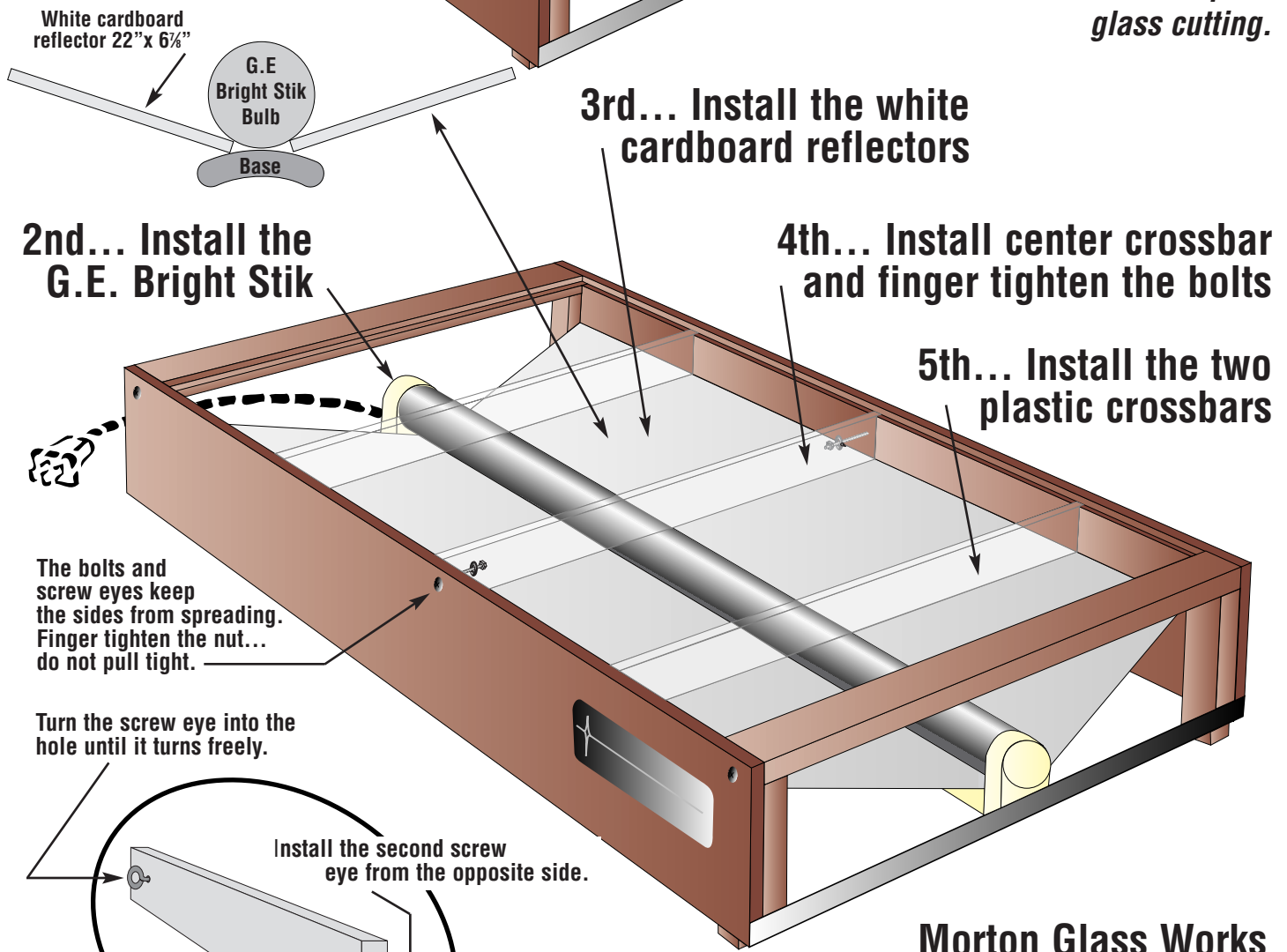
Use option B to install the 24 inch Model 7020 Lights of America fixture  
Use option A to install the 25 inch G.E. Bright Stik.



## Note:

*Painting the inside of the light box white will give the best output of light... covering the reflectors with tinfoil will also improve light output.*

*Use the Mini Surface upside down for drawing and cell side up for glass cutting.*

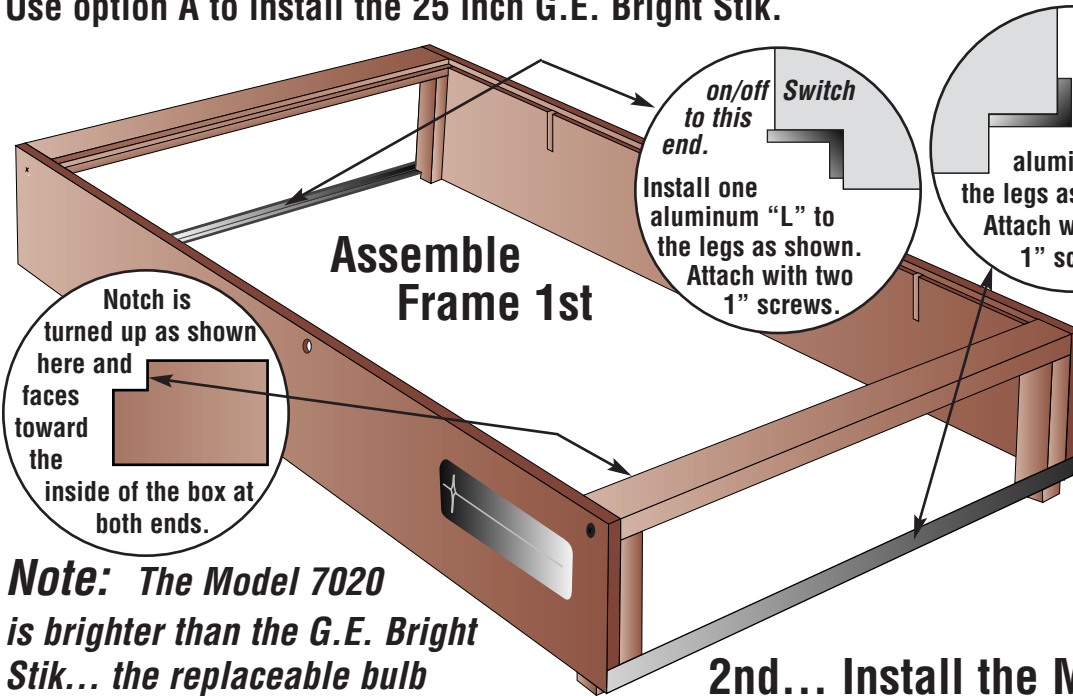


**Morton Glass Works**  
PO Box 465  
Morton, IL 61550  
(800) 635-2113

# Option A

Use option B to install the 24 inch Model 7020 Lights of America fixture  
 Use option A to install the 25 inch G.E. Bright Stik.

# Option B



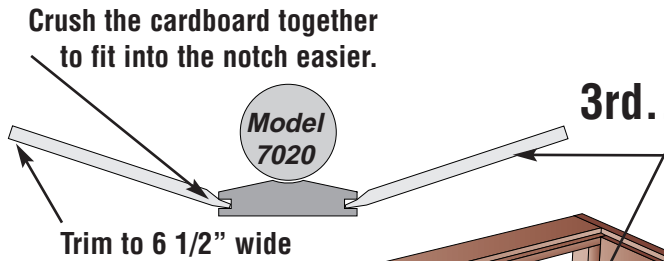
**Note:**  
 Painting the inside of the light box white will give the best output of light... covering the reflectors with tinfoil will also improve light output.

**Note:** The Model 7020 is brighter than the G.E. Bright Stik... the replaceable bulb makes this an excellent choice.

## 2nd... Install the Model 7020 Fixture

First remove the plastic bulb cover... it will not be used.  
 Rest the fixture on the two aluminum "L"s... see above diagrams for placement of the switch end.

## 3rd... Install the white cardboard reflectors

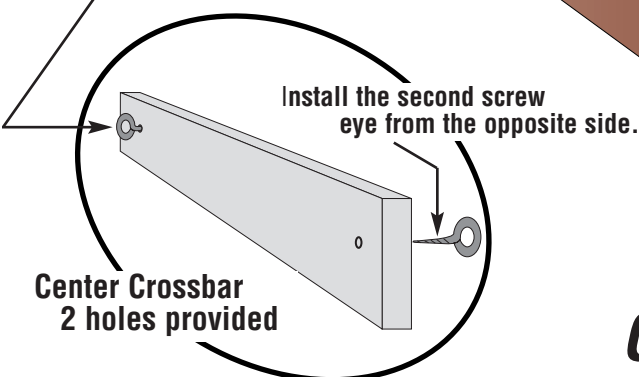


The reflector cards, as shipped, are too wide for the 7020 fixture and must be trimmed from 6 7/8" down to 6 1/2"... after trimming... crush the edge of the cardboard so it will be easy to fit into the notch on each side of the fixture's base.

## 4th... Install the center crossbar... finger tighten the bolts

The bolts and screw eyes keep the sides from spreading. Finger tighten the nut... do not pull tight.

Turn the screw eye into the hole until it turns freely.



## 5th... Install the two plastic crossbars

# Option B

Morton Glass Works  
 PO Box 465  
 Morton, IL 61550  
 (800) 635-2113